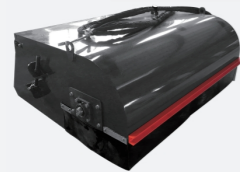




Operation Capacity: 380-850kgs
Operating Weight: 1300-2800kgs
Engine Power: 19-74KW/30-100HP



SKID STEER ATTACHMENTS



PICK UP SWEEPER



SNOW SWEEPER



VIBRATORY ROLLER



MULCHER



TRENCHER



GRASS CUTTER



4 IN 1 BUCKET



GRASS GRAPPLE

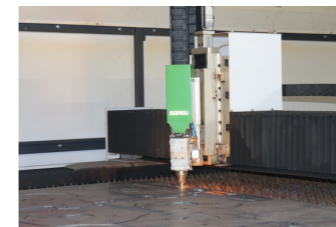


BUCKET GRAPPLE

Changzhou RAYMOND Precision Machinery Co.,Ltd (Manufacturer)
Changzhou RAYMOND International Trading Co.,Ltd (Export platform)
Add: 5# ChuangSheng Road, Luoyang Industrial Zone, Luoyang town,
Wujin District, Changzhou city, Jiangsu Province, China PC. 213104
Tel:0086-519-85585188 Fax:0086-519-88522598
Mobile:0086-135.8531.5748 What's app:0086-135.8531.5748
E-mail:exportmanager@rayskidsteer.com
Website: www.rayskidsteer.com

MAKE YOUR JOB EASIER AND FASTER

Changzhou RAYMOND Precision Machinery Co.,Ltd
Changzhou RAYMOND International Trading Co.,Ltd



RAY ATTACHMENTS

Established in 2002, Changzhou Raymond Precision Machinery Co.,Ltd is a professional manufacturer of construction machinery attachments: earth auger, hydraulic breaker, mulcher, pick up sweeper, skid steer, mini skid steer, etc. Changzhou Raymond International Trading Co.,Ltd is its sister company as Imp. & Exp. Platform. RAY Attachments is our brand on behave of China Made Brand.

We have gotten good reputation due to our stable supply capability and high quality with competitive price. Of course, we have over 20 years of customers service experience, it enable us to make our products have competitive advantages, products have been exported to many countries like Europe, Middle East, South-East Asian and Latin America and we are always expanding the global market. Our vision is become a century-old enterprise with more than 108 years.



DEVELOPMENT HISTORY

2002
Changzhou Chuangcheng Precision Steel Tube Co.,Ltd founded in 2002, which made a contribution to Chinese infrastructure construction.

2006
We have had our own factory for production since 2006, which is about 5 acres, converted to about 20,000 m².

2009
In 2009, Changzhou Raymond International Trading Co.,Ltd established and became the bridge of connecting home and abroad market, mainly selling steel pipes and construction machinery attachments.

2012
In 2012, our hydraulic earth augers were officially put into production, which Made a grand debut in the Shanghai Bauma Exhibition and won many domestic and overseas customers.

2013
On December 12, 2013, the first team called Wudi, which means the greatest team, established and started the teamwork.

2017
In 2017, the International trading department moved from the factory in Luoyang Town to downtown, which made great significance to attract talents.

2019
By 2019, our excavator attachments have covered 20 different kinds of products, including hydraulic earth auger, quick hitch, hydraulic breaker, hydraulic grapple and so on.

2021
In 2021, our International trading team and products expand to achieve the goal of 100 millions sales.

108
years +

Our vision is become a century-old enterprise with more than 108 years.

“ Slogon of RAYMOND ”
Everyone loves RAYMOND.



Mission:

Make your project easier and faster, make your life more intelligent.



Vision:

Become a century-old enterprise with more than 108 years.



Value:

Customer First, Creator-oriented, Teamwork, Embracing Change, Honesty and Trustworthiness, Passion and Optimism, Dedication, Unity Paradigm and Action, Altruism and Love.



Why you Choose us?

1. RAY Attachments is a construction machinery attachments family. Provide kinds of excavator attachments and skid steer attachments and other machines you want to buy in China.
2. RAY Attachments has 5 main factories to support different demands of our customers.
3. RAY Attachments not only sells the goods to you, but also provide sales or project solutions and after service without worry.
4. RAY's products are awarded ISO9001-2000 certificate, CE certificate and the relevant certificates according to export requirement in different area. Make your sales and after sales easier.

We sincerely hope to establish a partnership with your esteemed company, we always adhere to the principle of equality, mutual reciprocity and mutual benefit. It is our hope to promote by joint efforts, both trade, and friendship to our mutual advantage.

Our friends are omnipresent all over the world!

SKID STEER LOADER

Perfect craftsmanship and high configuration

Engine: Xinchai /EPA Kohler 30(19KW)-100hp(74KW)

Gear pump: to provide the working oil flow

Main pump: Plunger pump

Working motor: Brand: Danfoss/Eaton/ Rexroth To control walking with good performance

Strong structure: Adopting an innovative overall structure, integrating the fuel tank and the chassis, and casting wheel and axle supports, the machine is more stable and durable

Unique advantages



Efficient and reliable electro-hydraulic system



Special heating system



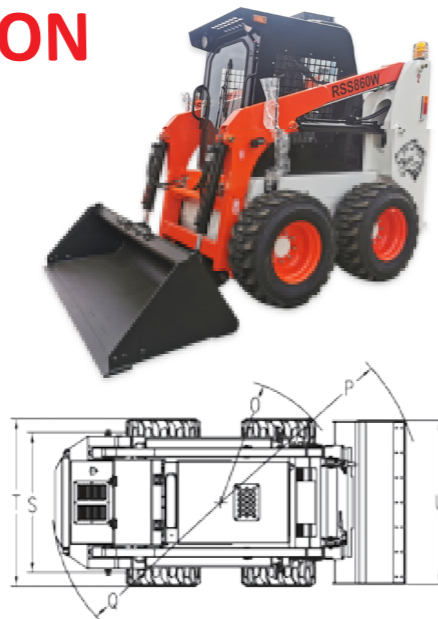
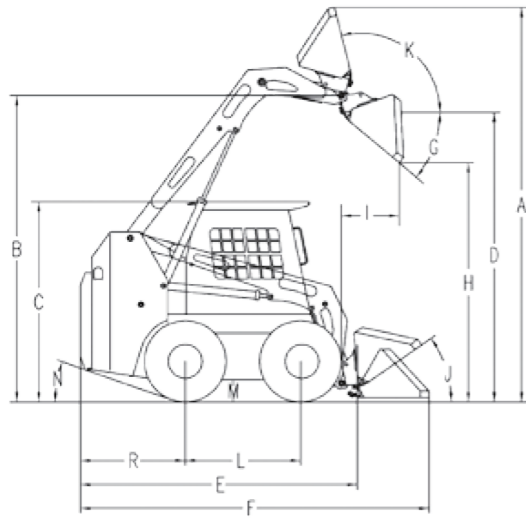
Ensure the stability of the machine and improve work efficiency



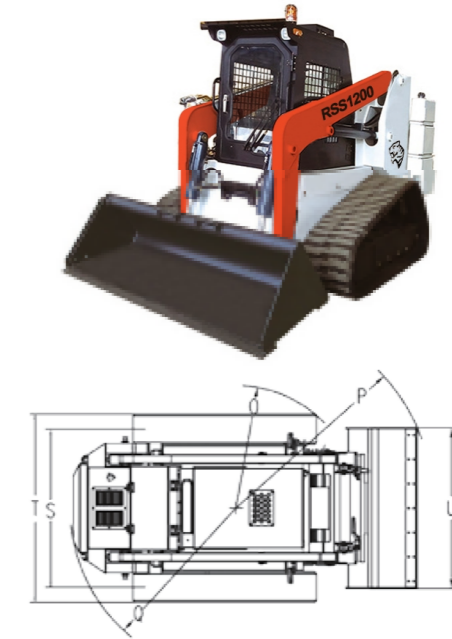
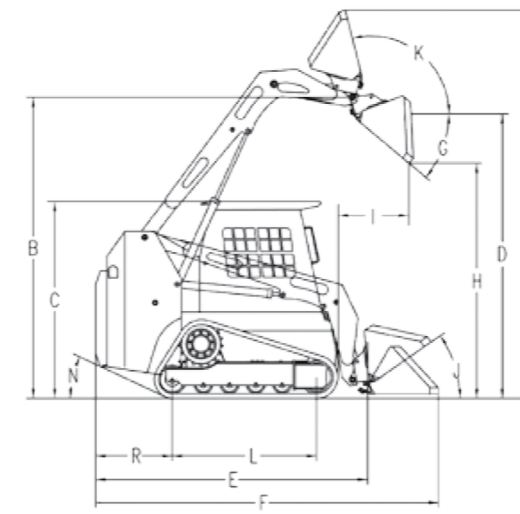
The customized high-strength rectangular steel pipe structure is adopted to avoid welding defects, and the boom has good rigidity and high strength

◀ SKID STEER SPECIFICATION

RSS Wheel Skid Steer Loader



RSS Crawler Skid Steer Loader



RAY model	RSS830W	RSS840W	RSS845W	RSS860W	RSS865W	RSS875W	RSS1000W
Operating load (kg)	380	500	700	850	950	1050	1100
Max speed (km/h)	9	10	12	12	12	12	18
Rated flux (L/min)	50	60	62.5	75	75	75	75
Tire (track) model	5.7-12	8.5-15	10-16.5	12-16.5	12-16.5	12-16.5	12-16.5
Rated power (Kw)	18.7	37	37	45	55	55	74
Fuel tank capacity (L)	28	60	70	80	90	75	90
Self weight bucket (kg)	1300	2300	2700	2800	3400	3500	3550
Bucket capacity (m3)	0.19	0.3	0.4	0.4	0.5	0.5	0.55
Wheelbase(mm)/L	801	897	991	991	1085	1080	1115
Height to top of cab (mm)/C	1900	2000	2140	2160	2150	2160	2160
Overall length without bucket (mm)/E	2267	2300	2640	2750	2880	2880	2880
Overall length with bucket (mm)/F	2959	2950	3420	3490	3490	3580	3580
Angle of departure (°)	20	20	20	20	20	20	20
Configuration							
Engine (standard/Optional)	Yanmar	Xinchai	Xinchai	Xinchai	Xinchai	Xinchai /Kohler	Weichai
Main pump (standard/Optional)	Italy	Italy	Italy	Italy	Italy	Rexroth	Rexroth
Gear pump	Italy	Permco	Permco	Permco	Permco	Permco	Casappa double pump
Connection way	Same to Bobcat						
Multi-way valve	Italy	Italy	Italy	Italy	Italy	Italy	Italy

RAY model	RSS850	RSS865	RSS875	RSS1000	RSS1200
Operating load (kg)	700	1000	1000	1200	1500
Max Speed (km/h)	10	12	12/18	12/18	12/18
Rated flux (L/min)	60	80	80	88	88
High Flow Flux (L/min)	/	/	120	140	140
Tire (track) model	300*52.5	320*86	320*86	320*84	450*86
Rated power (Kw)	36	55	55	74	103
Fuel tank capacity (L)	50	90	90	90	90
Self weight bucket (kg)	2800	3800	3800	4500	4800
Bucket capacity (m3)	0.3	0.5	0.5	0.55	0.6
Height to top of cab (mm)/C	2050	2150	2150	2160	2160
Overall length without bucket (mm)/F	2300	2750	2750	3000	3000
Overall length with bucket (mm)/F	2950	3500	3500	3700	3700
Rollback o bucket on ground (°)	30	30	30	30	30
Configuration					
Engine (standard/Optional)	Xinchai	Xinchai	Xinchai/EPA Kohler	weichai	weichai
Main pump (standard/Optional)	Rexroth	Rexroth	Rexroth	Rexroth	Rexroth
Gear pump	Permco	Permco	Permco	Casappa Double pump	Casappa Double pump
Connection way	Same to Bobcat				
Multi-way valve	Italy	Italy	Italy	Italy	Italy

◀ SKID STEER STRUCTURE

🔧 Advantages of wheel skid steer

Front halogen lights expand visibility for the easier position of loads overhead and maneuvering in low-clearance areas.

Wide space, good vision.

Adopting the international universal quick-change device, it can change various accessories quickly and conveniently.

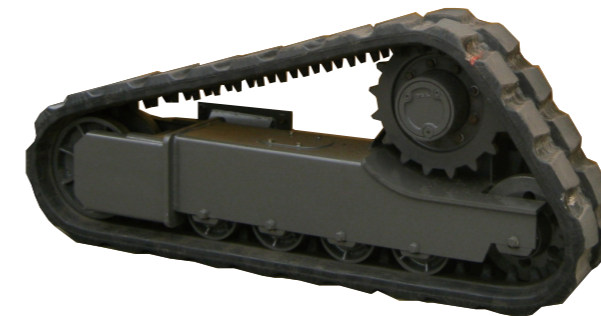


Use industrial tires with high wear resistance and low heat generation wheel, longer service time.

🔧 Advantages of crawler skid steer

The advantages of tracks:

1. Increased traction (especially in slippery conditions like mud or snow).
2. Low ground pressure and high flotation.
3. Using a reinforced drive chain, the tensile strength is 20% higher than ordinary chain.



RAY model	RSS850	RSS865	RSS875	RSS1000	RSS1200
Track size	300*52.5	320*86	320*86	320*84	450*86
Track distance (mm)	1102	1462	1462	1654	1654
Wheelbase (mm)	1240	1500	1500	1500	1500
Track width (mm)	1402	1782	1782	1994	2124

◀ SKID STEER DETAILS

01 Broad vision

Wide space, good vision, easy access, all buttons and switches are located in front of the driver, at your fingertips, very convenient.

02 Heating and cooling air conditioning (optional)

According to the customer's regional situation, optional heater or air conditioner.

03 Adjustable seat

Multi-degree-of-freedom adjustable seat, suitable position on the street according to people's weight, figure, and habits.

04 Multiple driver safety guarantees

1. Adopt a cab structure that has been tested and meets FOPS/ROPS standards.
2. Three-level protection system: When the machine is working, the operator must do a good job, put down the safety lever, start the machine, and press the start button, otherwise the machine cannot be operated, so as to avoid accidents caused by the operator's hand movement. The seat safety switch adopts delay control to ensure normal work on bumpy roads and can detect whether the operator is in the normal operating position.
3. Emergency lowering function of working device.
4. Rear window escape function.



05 Easy maintenance

1. Rear door opened at 90 degrees 60 degree upturned engine cover.
2. 30-degree forward tilting cab.
3. Comprehensive maintenance space.

06 A full set of instrument warning signals

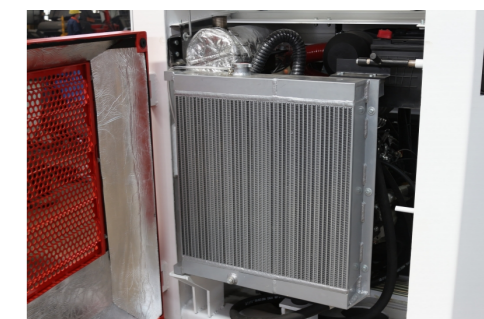
Timetable, oil level gauge, water temperature gauge, parking brake alarm, oil pressure alarm light, air filter alarm, charging failure alarm, etc.

07 Door limit safety switch

The closed cab is equipped with a door limit switch. When the door of the driver's cab is opened, the working device cannot be operated to prevent the door from being damaged by the operating device when the door is opened.

08 Comprehensive life responsibility protection

Full range of lamps: working, etc., width lights, brake lights, warning lights, turn signals Equipped with horn, rearview mirror and reversing horn Boom, driver's cab and cover can be safely locked when they are lifted to the highest position.



Cooperation brand



◀ SKID STEER CASES

